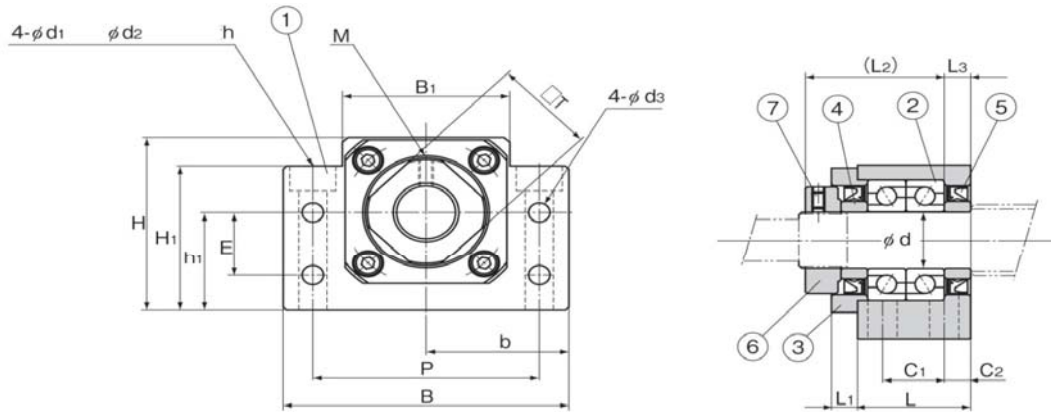


BK Series Support Unit (Fixed-side rectangular type)

Park No.	Part name	Qty
1	Housing	1
2	Bearing	1 set
3	Holding lid	1
4	Collar	2
5	Scal	2
6	Lock nut	1 set
7	Hexagon socket-head seiscREW	1



Unit : mm

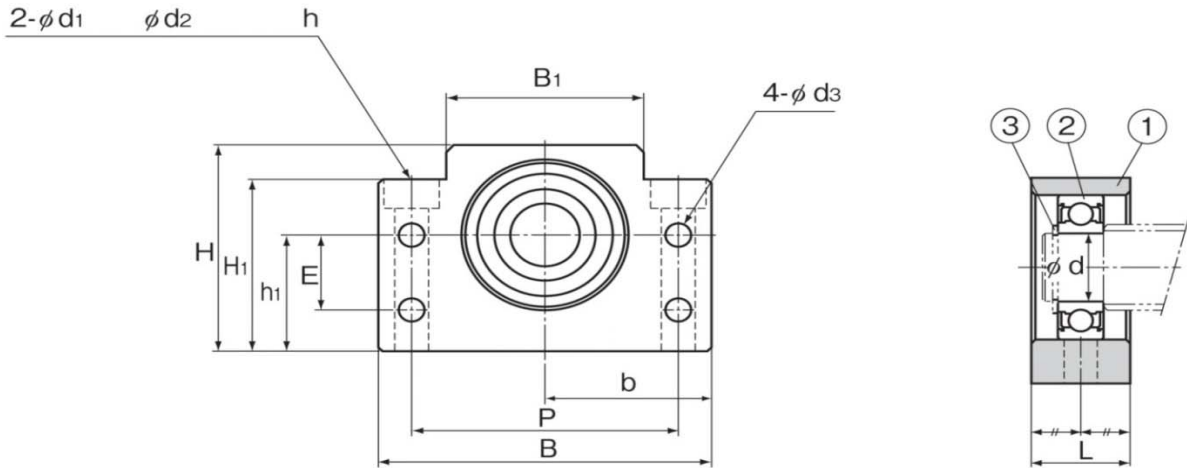
Model No.	Shaft mm d	Dimension																			Bearings	Weight kgs	
		L	L1	L2	L3	B	H	b ±0.02	h ±0.02	B1	H1	E	P	C1	C2	d3	d1	d2	h	M			T
BK10	10	25	5	29	5	60	39	30	22	34	32.5	15	46	13	6	5.5	6.6	10.8	5	M3	16	7000 (DF P5)	0.39
BK12	12	25	5	29	5	60	43	30	25	35	32.5	18	46	13	6	5.5	6.6	10.8	1.5	M3	19	7001 (DF P5)	0.41
BK15	15	27	6	32	6	70	48	35	28	40	38	18	54	15	6	5.5	6.6	11	6.5	M3	22	7002 (DF P5)	0.57
BK17	17	35	9	44	7	86	64	43	39	50	55	28	68	19	8	6.6	9	14	8.5	M4	24	7003 (DF P5)	1.27
BK20	20	35	8	43	8	88	60	44	34	52	50	22	70	19	8	6.6	9	14	8.5	M4	30	7004 (DF P5)	1.19
BK25	25	42	12	54	9	106	80	53	48	64	70	33	85	22	10	9	11	17.5	11	M5	35	7005 (DF P5)	2.30
BK30	30	45	14	61	9	128	89	64	51	76	78	33	102	23	11	11	14	20	13	M6	40	7006 (DF P5)	3.32
BK35	35	50	14	67	12	140	96	70	52	88	88	35	114	26	12	11	14	20	13	M8	50	7007 (DF P5)	4.33
BK40	40	61	18	75	15	160	110	80	60	100	100	37	130	33	14	14	18	26	17.5	M8	50	7008 (DF P5)	6.50

Note:

The use of C5 (prefix 7) by preloading angular contact ball bearings.

BF Series Support Unit (Fixed-side rectangular type)

Park No.	Part name	Qty
1	Housing	1
2	Bearing	1 set
3	Snap ring	1



Unit : mm

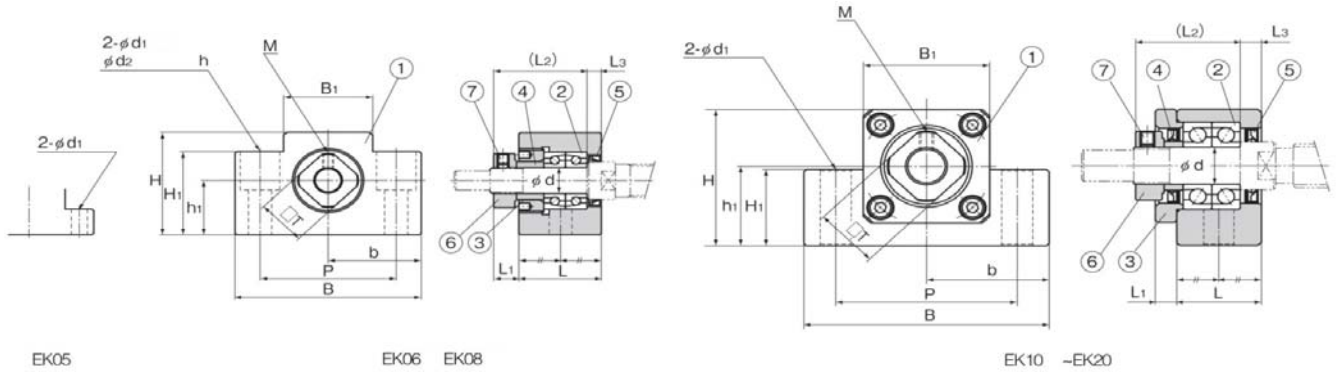
Model No.	Shaft mm d	Dimension														Bearings	Snapring	Weight kgs
		L	B	H	b ±0.02	h ±0.02	B1	H1	E	P	d3	d1	d2	h				
BF10	8	20	60	39	30	22	34	32.5	15	46	5.5	6.6	10.8	5	608 ZZ	C8	0.29	
BF12	10	20	60	43	30	25	35	32.5	18	46	5.5	6.6	10.8	1.5	6000 ZZ	C10	0.30	
BF15	15	20	70	48	35	28	40	38	18	54	5.5	6.6	11	6.5	6002 ZZ	C15	0.38	
BF17	17	23	86	64	43	39	50	55	28	68	6.6	9	14	8.5	6203 ZZ	C17	0.74	
BF20	20	26	88	60	44	34	52	50	22	70	6.6	9	14	8.5	6004 ZZ	C20	0.76	
BF25	25	30	106	80	53	48	64	70	33	85	9	11	17.5	11	6205 ZZ	C25	1.42	
BF30	30	32	128	89	64	51	76	78	33	102	11	14	20	13	6206 ZZ	C30	1.97	
BF35	35	32	140	96	70	52	88	79	35	114	11	14	20	13	6207 ZZ	C35	2.22	
BF40	40	37	160	110	80	60	100	90	37	130	14	18	26	17.5	6208 ZZ	C40	3.27	

Note:

The use of (prefix 6) deep groove ball bearings.

EK Series Support Unit (Fixed-side rectangular type)

Park No.	Part name	Qty
1	Housing	1
2	Bearing	1 set
3	Holding lid	1
4	Collar	2
5	Scal	2
6	Lock nut	1 set
7	Hexagon socket-head seiscREW	1



Unit : mm

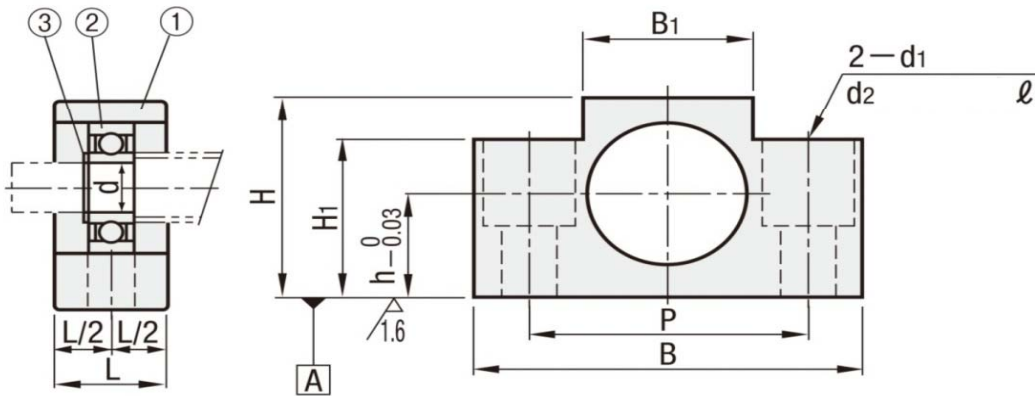
Model No.	Shaft mm d	Dimension																Bearings	Weight kgs
		L	L1	L2	L3	B	H	b ±0.02	h ±0.05	B1	H1	P	d1	d2	h	M	T		
EK4	4	15.0	5.5	17.5	3	34	19	17	10	18	7.0	26	4.5	-	-	M2.6	10	AC4-12 (DF P5)	0.06
EK5	5	16.5	5.5	18.5	3.5	36	21	18	11	20	8.0	28	4.5	-	-	M2.6	11	AC5-14 (DF P5)	0.08
EK6	6	20.0	5.5	22.0	3.5	42	25	21	13	18	20	30	5.5	9.5	11	M3	12	AC6-16 (DF P5)	0.14
EK8	8	23.0	7.0	26.0	4	52	32	26	17	25	26	38	6.6	11	12	M3	14	708 (DF P5)	0.24
EK10	10	24.0	6.0	29.5	6	70	43	35	25	36	24	52	9	-	-	M3	16	7000 (DF P5)	0.46
EK12	12	24.0	6.0	29.5	6	70	43	35	25	36	24	52	9	-	-	M3	19	7001 (DF P5)	0.44
EK15	15	25.0	6.0	36.0	5	80	49	40	30	41	25	60	11	-	-	M3	22	7002 (DF P5)	0.55
EK20	20	42.0	10.0	50.0	10	95	58	47.5	30	56	25	75	11	-	-	M4	30	7204 (DF P5)	1.35

Note:

- The use of C5 (prefix 7) by preloading angular contact ball bearings.
- The use of C5 (prefix 7) by preloading angular contact bearings, axial clearance 0.)
- The bearing is made of German brand, which is assembled by DF.)

EK Series Support Unit (Fixed-side rectangular type)

Park No.	Part name	Qty
1	Housing	1
2	Bearing	1 set
3	Snap ring	1



Unit : mm

Model No.	Shaft mm d	Dimension											Bearings	Weight kgs
		L	B	H	h	B1	H1	P	V	d1	d2			
EF06	6	12	42	25	13	18	20	30	17	5.5	9.5	11	606ZZ	STWN . S6
EF08		15	52	32	17	25	26	38		6.6	11			
EF10	8	20	70	40	22	36	21	52	22	9	-	-	608ZZ	STWN . S8
EF12	10			41	23		22							
				43	25		24							
				43	25		24							
EF15	15	80	46	26	21	60	32	11	-	-	-	6002ZZ	STWN . S15	
			48	28	23									
			50	*30	25									
EF20	20	26	95	58	*30	56	30	75	47	-	-	6204ZZ	STWN . S20	
EF25	25	30	105	68	35	66	25	85	52					6205ZZ

Note:

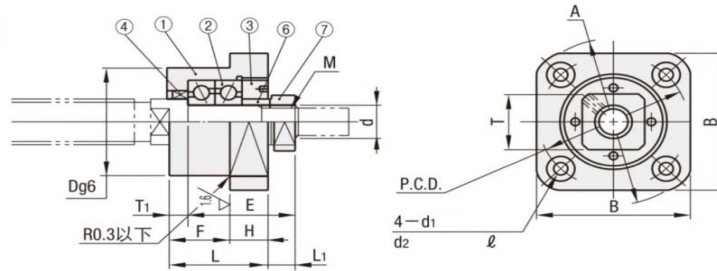
The use of C5 (prefix 6) deep groove ball bearing.

FK Series Support Unit (Fixed-side round type)

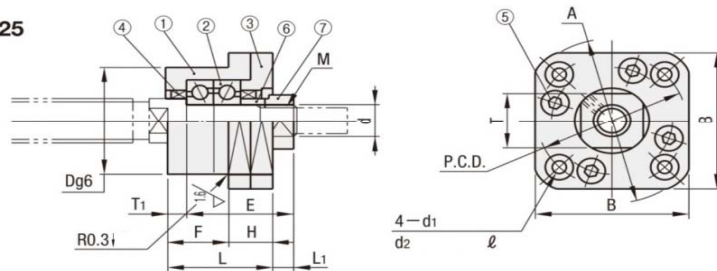
Park No.	Part name	Qty
1	Housing	1
2	Bearing	1 set
3	Holding lid	1
4	Collar	2
5	Scal	1
6	Lock nut	1 set
7	Hexagon socket-head seiscREW	2



d=6~8



d=10~25



Unit : mm

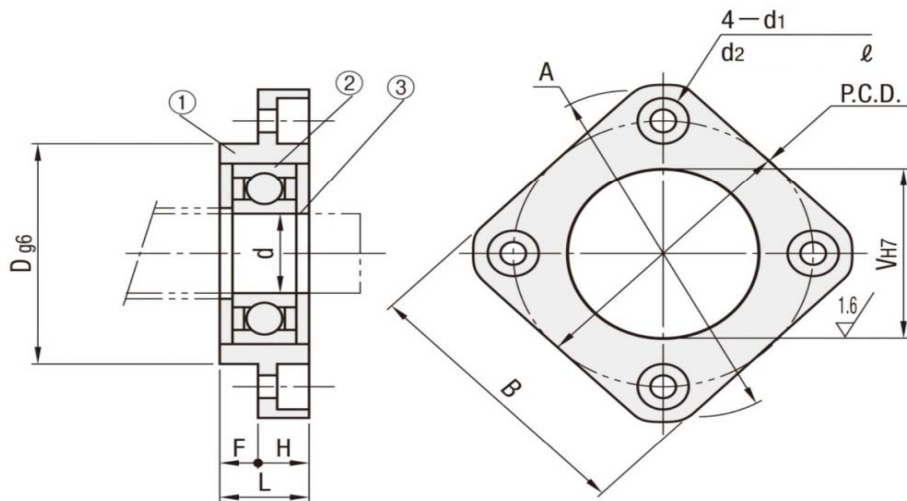
Model No.	Shaft mm d	Dimension														Bearings	
		L	H	F	E	D	A	P.C.D.	B	L1	T1	d1	d2	M	T		
FK6	6	20	7.0	13.0	22.5	22	36	28	28	6	3.5	3.4	6.5	4.0	M6x0.75	12	AC6-16
							35					2.9	5.5	3.5		12	
FK8	8	23	9.0	14.0	26.0	28	43	35	35	7	4.0	3.4	6.5	4.0	M8x1.0	14	708 (DF)
																14	708 (DF)
FK10	10	29	13.0	16.0	29.5	34	52	42	42	5.5	5	4.5	8	6	M10x1.0	17	7000 (DF)
						36	54									44	44
FK12	12														M12x1.0	19	7001 (DF)
FK15	15	32	15.0	17.0	38.0	40	63	50	52	12	6	5.5	9.5		M15x1.0	22	7002 (DF)
FK17	17	45	22.0	23.0	47.0	50	77	62	61	11	9	6.6	11	10	M20x1.0	24	7003 (DF)
FK20	20	52	22.0	30.0	52.0	57	85	70	68	10	10	6.6	11	10	M20x1.0	30	7004 (DF)
FK25	25	57	27.0	30.0	59.0	63	98	80	79	12	10	9	15	13	M25x1.5	35	7005 (DF)
FK30	30	57	30.0	32.0	61.0	75	117	95	93	12	12	11	17.5	15	M25x1.5	40	7006 (DF)

Note:

The use of C5 (prefix 7) by preloading angular contact ball bearings.

FF Series Support Unit (Supported-side round type)

Park No.	Part name	Qty
1	Housing	1
2	Bearing	1 set
3	Snap ring	1



Unit : mm

Model No.	Shaft mm d	Dimension											Bearings	Snapping
		L	H	F	D	A	P.C.D.	B	V	d1	d2			
FF6	6	10	6	4	22	36	28	28	17	3.4	6.5	4.0	606ZZ	STWN . S6
FF10	8	12	7	5	28	43	35	35	22	3.4	6.5		608ZZ	STWN . S8
FF12	10	15	7	8	34	52	42	42	26	4.5	8		6000ZZ	STWN . S10
FF15	15	17	9	8	40	63	50	52	32	5.5	9.5	5.5	6002ZZ	STWN . S15
FF17	17	20	11	9	50	77	62	61		6.6	11	6.5	6003ZZ	STWN . S17
FF20	20	20	11	9	57	85	70	68	47	6.6	11	6.5	6204ZZ	STWN . S20
FF25	25	24	14	10	63	98	80	79	52	9	14	8.5	6205ZZ	STWN . S25
FF30	30	27	18	9	75	117	95	93		11	17	11	6206ZZ	STWN . S30

Note:

The use of C5 (prefix 6) deep groove ball bearing.